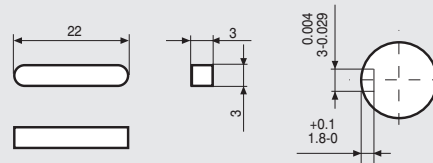


WIRES ARE HOUSED IN A VINYL TUBE.
T IS THE EARTH TERMINAL.

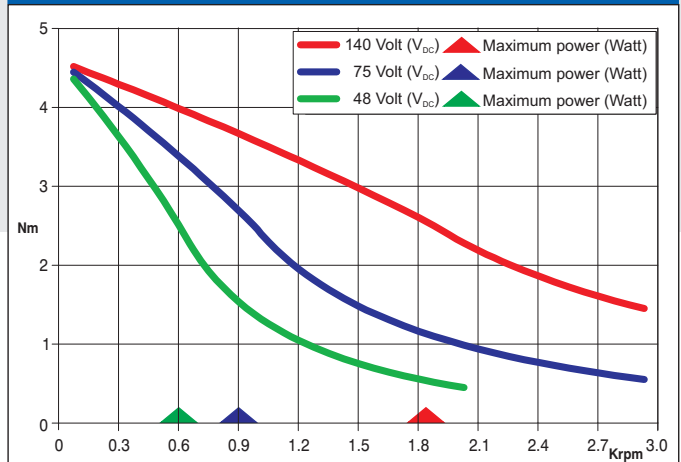


Dimensions in mm.

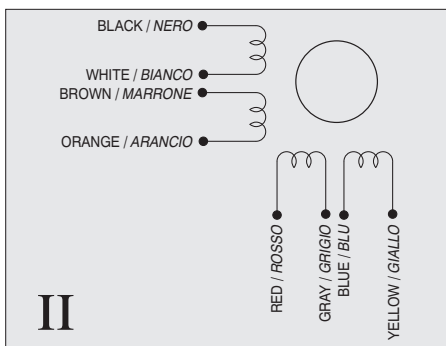
FEATURES
CARATTERISTICHE

MODEL MODELLO	103 - 845 - 67S1
BASIC STEP ANGLE	1.8° ± 0.09°
BIPOLAR CURRENT (Amp)	9.5 (*)
UNIPOLAR CURRENT (Amp)	6.7
RESISTANCE (Ohm)	0.45
INDUCTANCE (mH)	2.0
BIPOLAR HOLDING TORQUE (Ncm)	510
UNIPOLAR HOLDING TORQUE (Ncm)	410
ROTOR INERTIA (Kgm ² x 10 ⁻⁷)	1550
THEORETICAL ACCELERATION (rad x sec. ⁻²)	32900
BACK E.M.F. (V/Krpm)	46
MASS (Kg)	3.6
PROTECTION DEGREE	IP55
LEADS CODE	II

TORQUE/SPEED CURVE
CURVA DI COPPIA/VELOCITÀ



(*) Bipolar parallel connection.
(*) Collegamento bipolare parallelo.



Suggested R.T.A. driver: PLUS Series, contact R.T.A.



R.T.A. s.r.l.
Via E. Mattei - Fraz. Divisa
27020 MARCIGNAGO (PV) ITALY
Tel. +39.0382.929.855 - Fax +39.0382.929.150
www.rta.it

R.T.A. Deutschland GmbH
Bublitzter Straße 34
40599 DÜSSELDORF (Germany)
Tel. +49.211.749.668.60 - Fax +49.211.749.668.66
www.rta-deutschland.de

R.T.A. IBERICA-Motion Control Systems S.L.
C/Generalitat 22, 1° 3°
08850 GAVA - BARCELONA (Spain)
Tel. +34.936.388.805 - Fax +34.936.334.595
www.rta-iberica.es