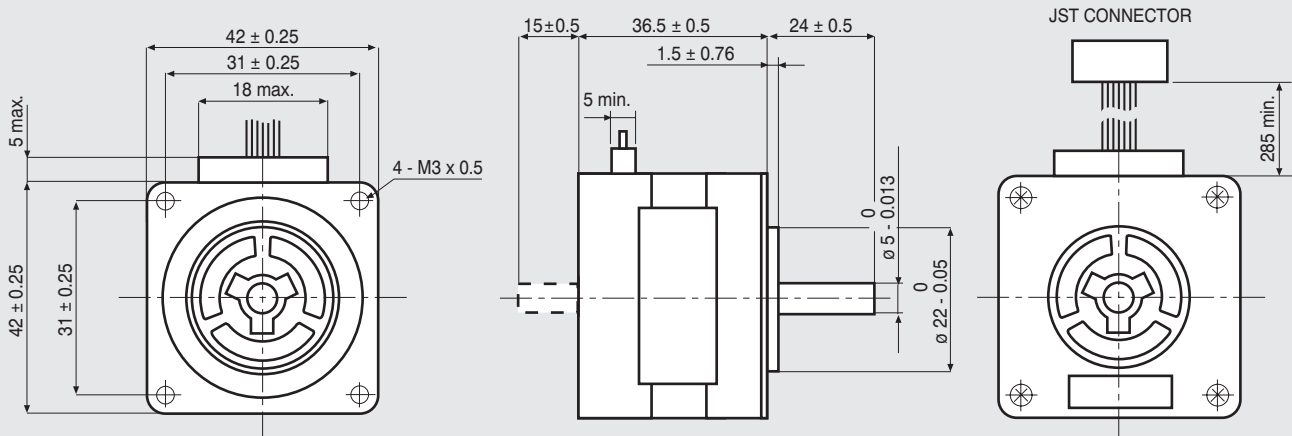


Dimensions (Unit:mm)



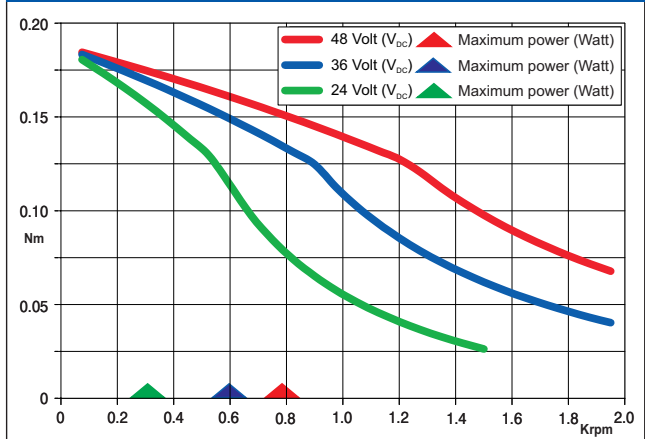
MOTOR CONNECTOR IS JST mod. EHR-4A/
EHR-6 at 4 / 6 POLES FEMALE.
FOR CONNECTION USE JST mod. B4B-EH-A/
B6B-EH-A MALE CONNECTOR.

FEATURES

MODEL	103-547-52500 (103-547-52300)
BASIC STEP ANGLE	1.8° ± 0.09°
BIPOLAR CURRENT (Amp)	0.7 ^(*)
UNIPOLAR CURRENT (Amp)	1.0
RESISTANCE (Ohm)	3.15
INDUCTANCE (mH)	3
BIPOLAR HOLDING TORQUE (Ncm)	25
UNIPOLAR HOLDING TORQUE (Ncm)	19
ROTOR INERTIA (Kg·m ² × 10 ⁻⁷)	43
THEORETICAL ACCELERATION (rad × sec. ⁻²)	59000
BACK E.M.F. (V/Krpm)	14
MASS (Kg)	0.24
LEADS CODE	IV

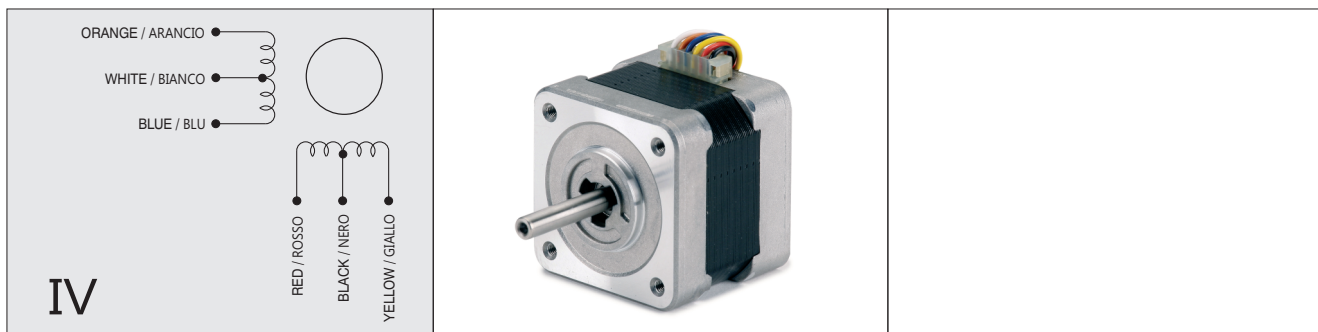
Codes between brackets refer to double shaft models.
Le sigle fra parentesi si riferiscono ai modelli bialbero.

TORQUE/SPEED CURVE



(*) Bipolar series connection.
(*) Collegamento bipolare serie.

R.T.A. s.r.l. PAVIA (ITALY) SANYO DENKI CO., Ltd (JAPAN)



IV

EMC - 10 - 14

Suggested driver: contact R.T.A.



R.T.A. s.r.l.
Via E. Mattei - Fraz. Divisa
27020 MARCIGNAGO (PV) ITALY
Tel. +39.0382.929.855 - Fax +39.0382.929.150
www.rta.it

R.T.A. Deutschland GmbH
Bublitz Straße 34
40599 DÜSSELDORF (Germany)
Tel. +49.211.749.668.60 - Fax +49.211.749.668.66
www.rta-deutschland.de

R.T.A. IBERICA-Motion Control Systems S.L.
C/Generalitat 22, 1° 3°
08850 GAVA - BARCELONA (Spain)
Tel. +34.936.388.805 - Fax +34.936.334.595
www.rta-iberica.es