

60x60x15 mm

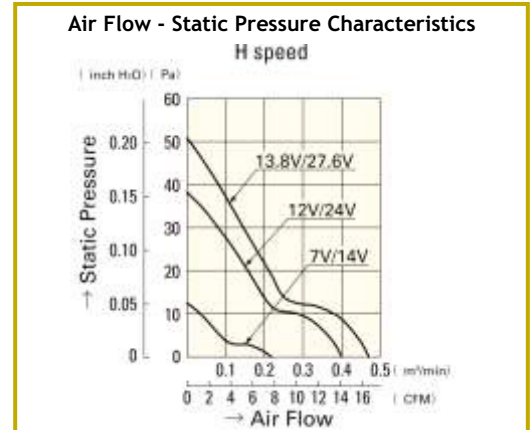
24 V



### General Specifications

- **Material:**
  - Frame: Plastics (Flammability: UL 94V-0)
  - Impeller: Plastics (Flammability: UL 94V-1)
- **Expected Life:** 60,000 h (L10:Survival rate: 90% at 60 °C, rated voltage, and continuously run in a free air state)
- **Lead Wire:** ⊕ red ⊖ black or blue
- **Storage Temperature:** -30 °C to +70 °C (Non-condensing)
- **Ball bearings**
- **International Standards:** UL/CSA, TÜV, RoHS

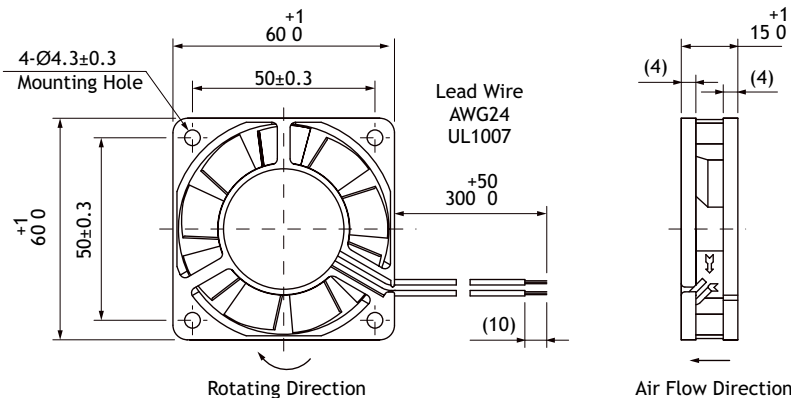
### Air Flow - Static Pressure Characteristics



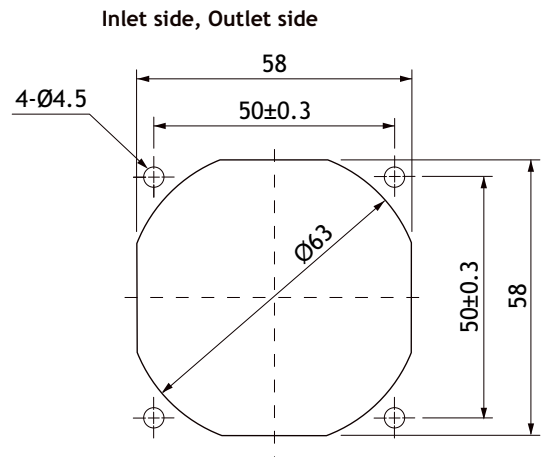
### Specifications

Model No.	Rated Voltage [V]	Operating Voltage Range [V]	Rated Current [A]	Rated Input [W]	Rated Speed [min <sup>-1</sup> ]	Max. Air Flow [m <sup>3</sup> /min] [CFM]	Max. Static Pressure [Pa] [inchH <sub>2</sub> O]	SPL [dB(A)]	Operating Temperature [°C]	Expected Life [h]
109P0624H702	24	14 to 27.6	0.06	1.44	4,100	0.40 14.1	38.2 0.153	32	-20 to +70	60,000/60°

### Dimensions (Unit:mm)



### Reference dimension of mounting holes and vent opening (Unit: mm)



60 mm sq.



- Model always available on stock at R.T.A.
- Also available for online purchasing at [www.rta-store.com](http://www.rta-store.com)