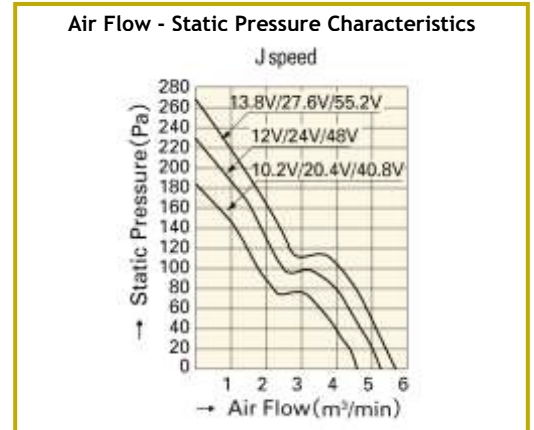


120x120x38 mm **24 V | LONG LIFE**

General Specifications

- **Material:**  
- Frame: Aluminum  
- Impeller: Plastics (Flammability: UL94V-1)
- **Expected Life:** 60,000 h (L10:Survival rate: 90% at 60 °C, rated voltage, and continuously run in a free air state)
- **Lead Wire:** ⊕ red ⊖ black or blue
- **Storage Temperature:** -30 °C to +70 °C (Non-condensing)
- **Ball bearings**

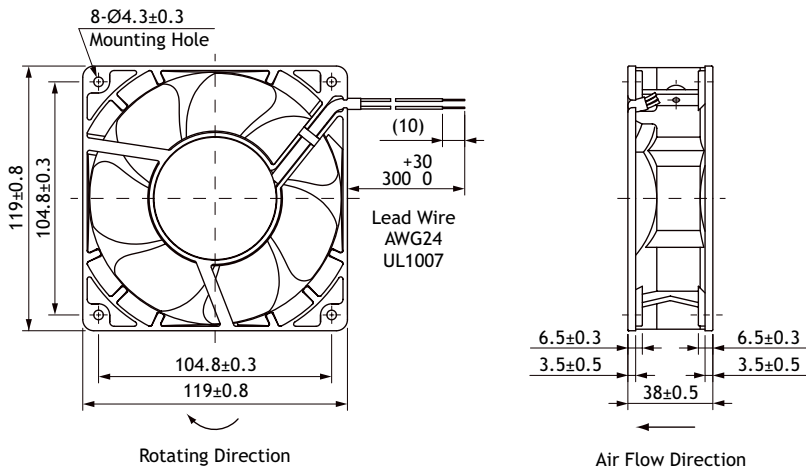
Air Flow - Static Pressure Characteristics



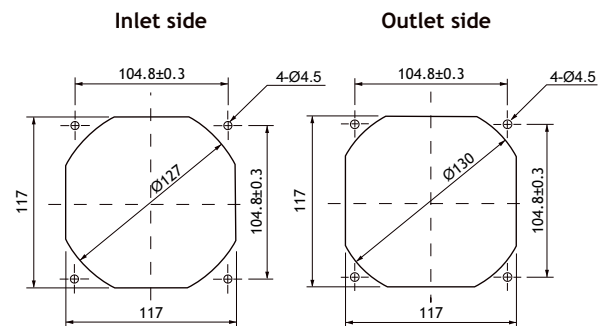
Specifications

Model No.	Rated Voltage [V]	Operating Voltage Range [V]	Rated Current [A]	Rated Input [W]	Rated Speed [min <sup>-1</sup> ]	Max. Air Flow [m <sup>3</sup> /min]	Max. Air Flow [CFM]	Max. Static Pressure [Pa]	Max. Static Pressure [inchH <sub>2</sub> O]	SPL [dB(A)]	Operating Temperature [°C]	Expected Life [h]
9GL1224J102	24	20.4 to 27.6	1.0	24	4,800	5.10	180	230	0.924	57	-10 to +70	60,000/60°

Dimensions (Unit:mm)



Reference dimension of mounting holes and vent opening (Unit: mm)



120 mm sq.



- Model always available on stock at R.T.A.
- Also available for online purchasing at [www.rta-store.com](http://www.rta-store.com)