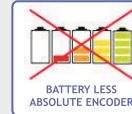


R2CA18750HCR00M

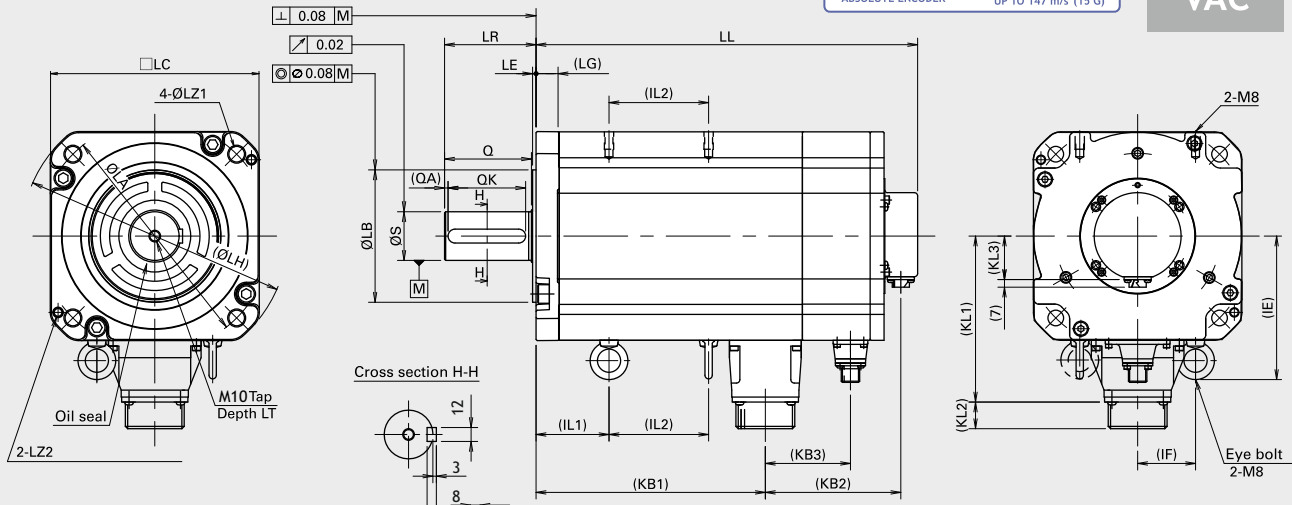
SANYO DENKI
SANMOTION

Dimensions (Unit:mm)

CU®
US



**400
VAC**

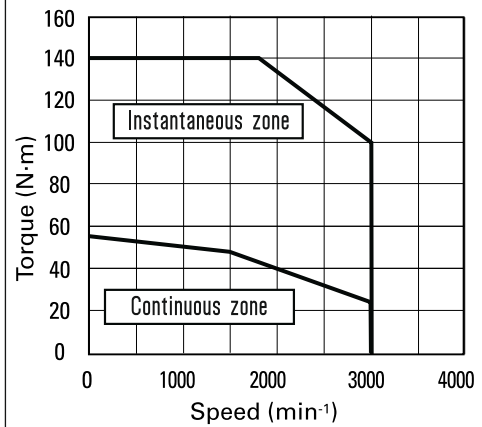


without brake			with brake			LG	KL1	KL2	KL3	LA	LB	LE	LH	LC	LZ1	LZ2	LR	S	Q	QA	QK	KB1	LT	IE	IF	IL1	IL2
LL	KB2	KB3	LL	KB2	KB3																						
--	--	--	329	117	74	19	144	22	38	200	114.3-0.0035	3	230	180	13.5	M8	79	42-0.016	75	3	67	198	25	123	50	63	86

FEATURES

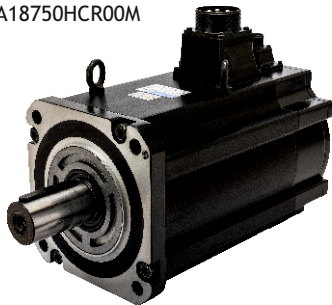
MODEL	R2CA18750HCR00M	
NOMINAL POWER	(W)	7500
NOMINAL SPEED	(rpm)	1500
MAXIMUM SPEED	(rpm)	3000
NOMINAL TORQUE	(Nm)	48
STALL TORQUE	(Nm)	54.9
MAXIMUM TORQUE	(Nm)	140
INERTIA	(Kg·m ²)	98×10 ⁻⁴
BATTERY-LESS ABSOLUTE ENCODER	(imp./rev)	SINGLE TURN: 131072 imp/rev (17 bit) MULTI TURN: 65536 turns (16 bit)
PROTECTION DEGREE		IP65
WEIGHT	(Kg)	38

TORQUE CURVE R2CA18750HCR [7.5 KW] + RS3C15



R.T.A. - s.r.l. PAVIA (ITALY) SANYO DENKI CO., Ltd (JAPAN)

R2CA18750HCR00M



Indicated performances refer to motor controlled by related RS3 standard and EtherCat amplifiers.

3Φ = torque curve with three-phase power supply

Suggested amplifiers: RS3C15A2HL4



R.T.A. s.r.l.
Via E. Mattei - Fraz- Divisa
27020 Marcignago (PV) (Italy)
T +39.0382.929.855
F +39.0382.929.150
www.rta.it

R.T.A. Deutschland GmbH
Bublitzer Strasse 34, 40599
Duesseldorf (Germany)
T +49.211.749.668.60
F +49.211.749.668.66
www.rta-deutschland.de

R.T.A. IBERICA
C/Generalitat 22, Local 1
08850 Gava - Barcelona (Spain)
T +34 936.388.805
F +34 936.334.595
www.rta-iberica.es

R.T.A. INDIA Pvt
Teerth Business Center 3rd Floor, Unit No. 7,
Block EL-15, MIDC Bhosari Pimpi-Chinchwd,
Pune 411026 (India)
Tel. +91 9422507445
www.rta-india.in