

80x80x38 mm

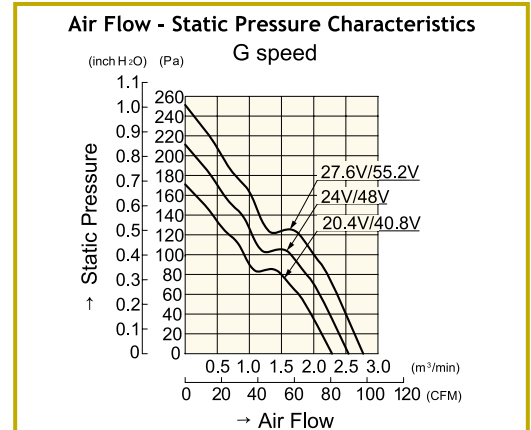
24 V



General Specifications

- **Material:**  
- Frame: Plastics (Flammability: UL 94V-0)  
- Impeller: Plastics (Flammability: UL 94V-1)
- **Expected Life:** 40,000 h (L10:Survival rate: 90% at 60 °C, rated voltage, and continuously run in a free air state)
- **Lead Wire:** ⊕ red ⊖ black
- **Storage Temperature:** -30 °C to +70 °C (Non-condensing)
- **Ball bearings**
- **International Standards:** UL/CSA, TÜV, RoHS

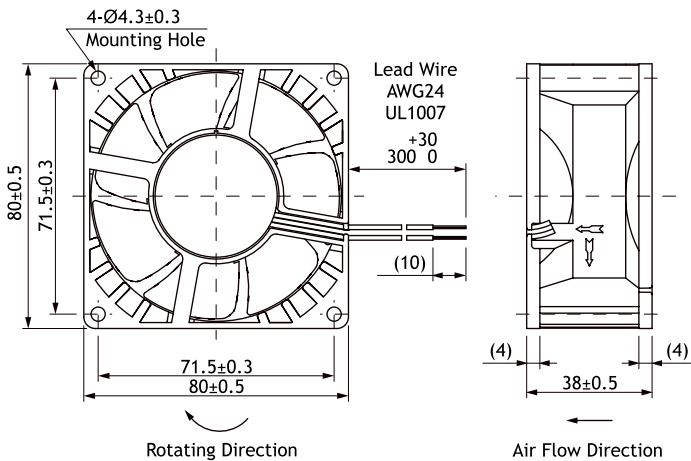
Air Flow - Static Pressure Characteristics



Specifications

Model No.	Rated Voltage [V]	Operating Voltage Range [V]	Rated Current [A]	Rated Input [W]	Rated Speed [min <sup>-1</sup> ]	Max. Air Flow [m <sup>3</sup> /min] [CFM]	Max. Static Pressure [Pa] [inchH <sub>2</sub> O]	SPL [dB(A)]	Operating Temperature [°C]	Expected Life [h]
9G0824G102	24	20.4 to 27.6	0.56	13.4	6,300	2.55 90	211 0.847	51	-20 to +70	30,000/60°

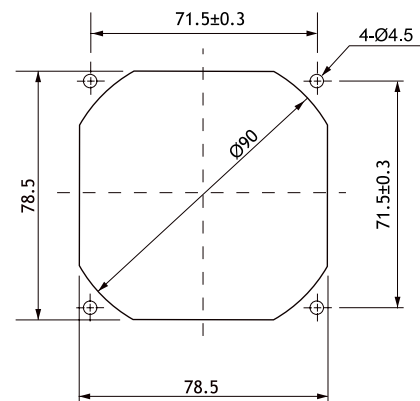
Dimensions (Unit:mm)



Reference dimension of mounting

holes and vent opening (Unit: mm)

Inlet side, Outlet side



80 mm sq.



- Model always available on stock at R.T.A.
- Also available for online purchasing at [www.rta-store.com](http://www.rta-store.com)

