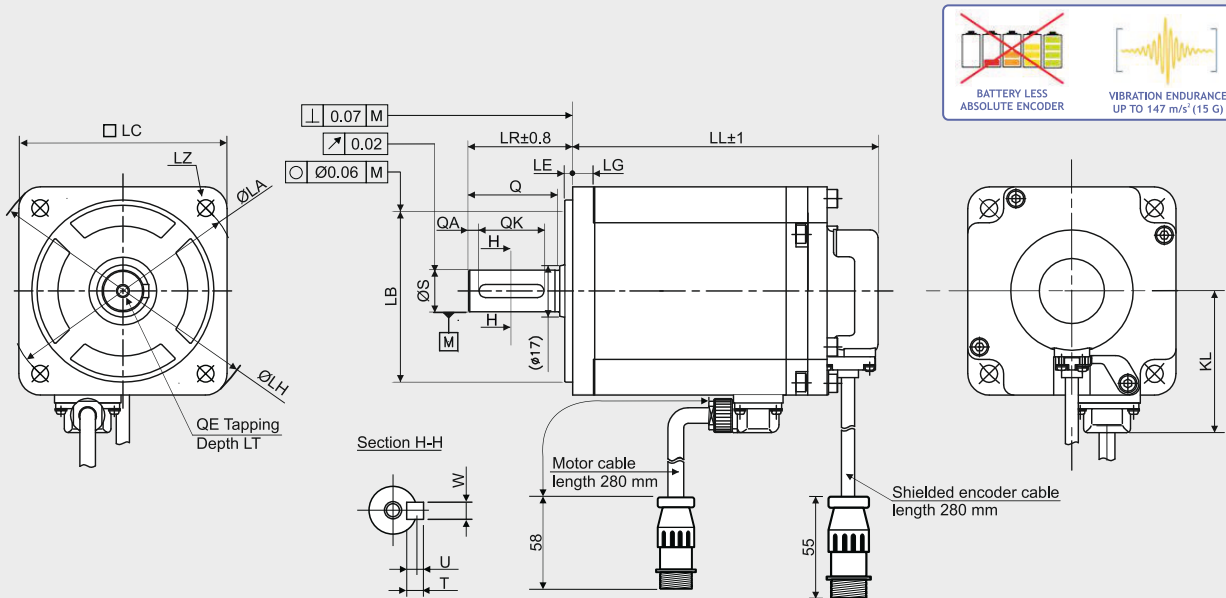


R2AA08075FXR11M (R2AA08075FCR11M)

SANYO DENKI
SANMOTION

Dimensions (Unit:mm)

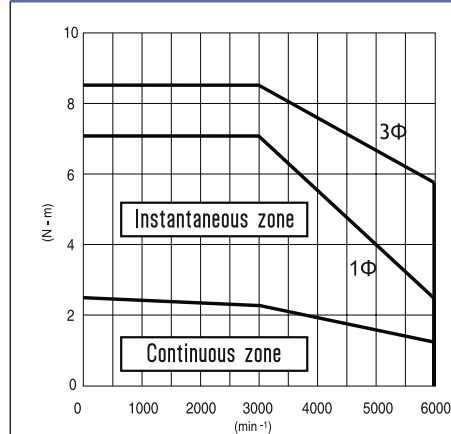


without brake	with brake	LG	KL	LA	LB	LE	LH	LC	LZ	LR	S	Q	QA	QK	W	T	U	QE	LT
LL	LL	8	54.4	90	70-0.030	3.0	108	80	4-Ø6.6	40	16-0.011	35	4	25	5	5	2	M5	12

FEATURES

MODEL	R2AA08075FXR11M	
NOMINAL POWER	(W)	750
NOMINAL SPEED	(rpm)	3000
MAXIMUM SPEED	(rpm)	6000
NOMINAL TORQUE	(Nm)	2.390
STALL TORQUE	(Nm)	2.550
MAXIMUM TORQUE	(Nm)	8.50
INERTIA	(Kg*m ²)	1.820x10 ⁻⁴
BATTERY LESS ABSOLUTE ENCODER	SINGLE TURN: 131072 imp/rev (17 bit) MULTI TURN: 65536 turns	
PROTECTION DEGREE	IP67*	
WEIGHT	[version with brake] (Kg)	2.80 [3.70]

TORQUE CURVE R2AA08075F [750W] + RS3A03



R.T.A. s.r.l. PAVIA (ITALY) SANYO DENKI CO., Ltd (JAPAN)

* Protection degree IP67 (except for the shaft hole and the edge of the cable).

WITHOUT BRAKE
R2AA08075FXR11M



Indicated performances refer to motor controlled by related new RS3 standard and EtherCat amplifiers.

1Φ = torque curve with single phase power supply
3Φ = torque curve with three-phase power supply

WITH BRAKE
R2AA08075FCR11M



Suggested amplifiers: RS3A03A0ALOW00P, RS3A03A2HA4W00P, RS3A03A0AL2



R.T.A. s.r.l.
Via E. Mattei - Fraz- Divisa
27020 Marcignago (PV) (Italy)
T +39.0382.929.855
F +39.0382.929.150
www.rta.it

R.T.A. Deutschland GmbH
Bublitzter Strasse 34, 40599
Duesseldorf (Germany)
T +49.211.749.668.60
F +49.211.749.668.66
www.rta-deutschland.de

R.T.A. IBERICA
C/Generalitat 22, Local 1
08850 Gava - Barcelona (Spain)
T +34 936.388.805
F +34 936.334.595
www.rta-iberica.es

R.T.A. INDIA Pvt
Teerth Business Center 3rd Floor, Unit No. 7,
Block EL-15, MIDC Bhosari Pimpri-Chinchwad,
Pune 411026 (India)
Tel. +91 9422507445
www.rta-india.in