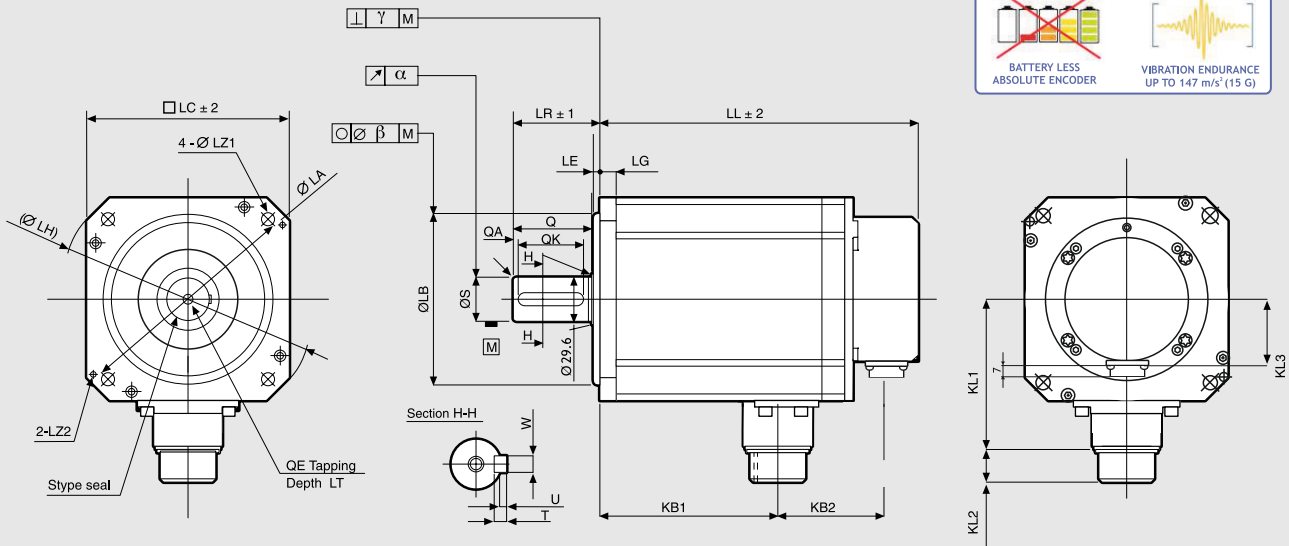
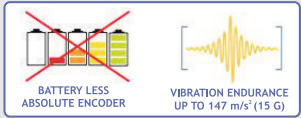


R2AA13200LXR00M (R2AA13200LCR00M)

Dimensions (Unit:mm)



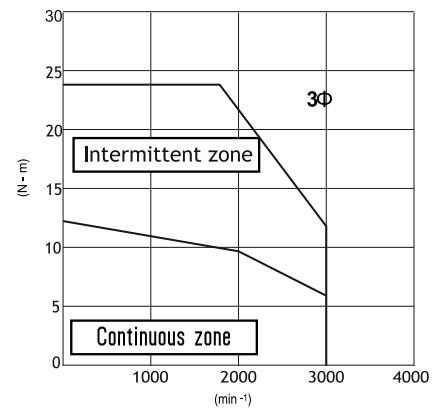
without brake		with brake		KL1	KL2	KL3	LG	LA	LB	LE	LH	LC	LZ1	LZ2	LR	S	Q	QA	QK	W	T	U	KB1	QE	LT
LL	KB2	LL	KB2																						
171	57	216	103	98	21	38	12	145	0 110-0.035	4	165	130	9	M6	55	0 28-0.013	50	3	42	0 8-0.036	7	3	99	M8	25

FEATURES

MODEL	R1AA13200LXR00M	
NOMINAL POWER	(W)	2000
NOMINAL SPEED	(rpm)	2000
MAXIMUM SPEED	(rpm)	3000
NOMINAL TORQUE	(Nm)	9.5
STALL TORQUE	(Nm)	12
MAXIMUM TORQUE	(Nm)	24
INERTIA	(Kg·m ²)	12.2 × 10 ⁻⁴
ENCODER	(imp./rev)	SINGLE TURN: 131072 imp/rev (17 bit) MULTI TURN: 65536 turns (16 bit)
PROTECTION DEGREE		IP65
WEIGHT	[version with brake] (Kg)	10 (12)

TORQUE CURVE

R1AA13200F [2kW] + RS3A05



R.T.A. s.r.l. PAVIA (ITALY) SANYO DENKI CO., Ltd (JAPAN)

WITHOUT BRAKE
R2AA13200LXR00M

Indicated performances refer to motor controlled by related new RS3 standard and EtherCat amplifiers.

3Φ = torque curve with three-phase power supply

WITHOUT BRAKE
R2AA13200LCR00M

Suggested amplifiers: RS3A05A0AA2, RS3A05A2HA4W00



R.T.A. s.r.l.
Via E. Mattei - Fraz- Divisa
27020 Marcignago (PV) (Italy)
T +39.0382.929.855
F +39.0382.929.150
www.rta.it

R.T.A. Deutschland GmbH
Bublitzer Strasse 34, 40599
Duesseldorf (Germany)
T +49.211.749.668.60
F +49.211.749.668.66
www.rta-deutschland.de

R.T.A. IBERICA
C/Generalitat 22, Local 1
08850 Gava - Barcelona (Spain)
T +34 936.388.805
F +34 936.334.595
www.rta-iberica.es

R.T.A. INDIA Pvt
Teerth Business Center 3rd Floor, Unit No. 7,
Block EL-15, MIDC Bhosari Pimpri-Chinchwd,
Pune 411026 (India)
Tel. +91 9422507445
www.rta-india.in