

SANMOTION
AC SERVO SYSTEMS **RS3**

230
VAC

SIL3
SAFE TORQUE
OFF (STO)

EtherCAT

3rd
GENERATION!

**ADVANCED SAFETY
MODULE**

230 VAC SERVOAMPLIFIERS

RS3 SERIES AC SERVOAMPLIFIERS - EtherCAT INTERFACE & STO

FIVE DIGIT DISPLAY: It allows to monitor amplifier and EtherCAT Network.

PC CONNECTOR: The amplifier can be set and monitored by means of Personal Computer USB interface.

POWER CONNECTOR: 230VAC, single-phase or three-phase (configurable by user). Power sections kept separated for logic/signal and power. Built-in protection circuits against overload and input overvoltage.

Internal regenerative resistor. External regenerative resistor (optional)

EtherCAT INTERFACE CONNECTOR: RJ45 - CAT5e.

I/O CONNECTOR: 7 inputs and 2 outputs.

MOTOR POWER CONNECTOR - CONNETTORE POTENZA MOTORE

SAFE TORQUE OFF SIL3 CONNECTOR

SIL3
SAFE TORQUE
OFF (STO)

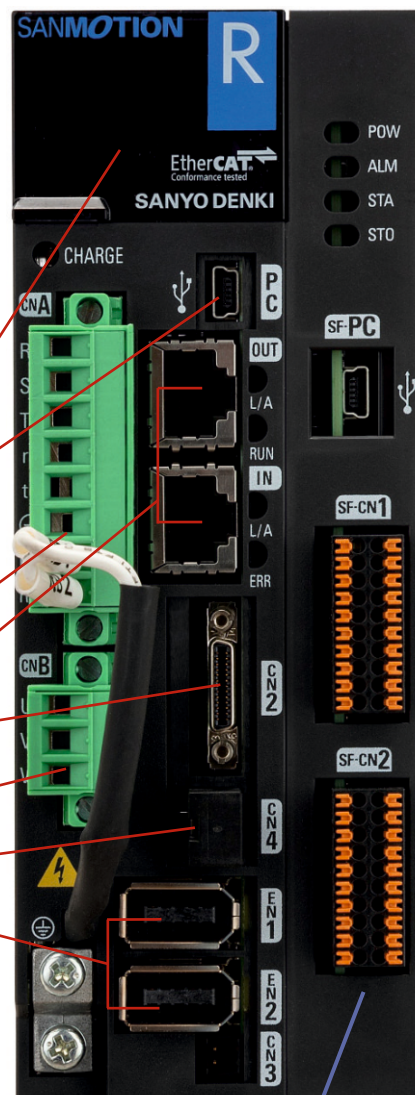
SECOND ENCODER CONNECTOR FOR EXTERNAL LINEAR SCALE TO AVOID BACKLASH

MAIN FEATURES OF THE 3rd GENERATION

CE **UL** **US**

- Advanced safety function
- Mode of Operation: Homing Mode, Profile Velocity Mode, Profile Position Mode, Profile Torque Mode, Cycle Sync Position Mode, Cycle Sync Velocity Mode, Cycle Sync Torque Mode.
- Touch Probe Function.
- Speed frequency response of 2.2 kHz [3.3 times that of previous RS1 model!]
- Safe Torque Off (STO) function - SIL3/IEC61508. Performance Level - PL = e/ISO13849-1
- RS3A03A2HAE covers 100W, 200W, 400W, 750W, 1000W, 1500W motors

Dimensions: (60x160x130)
Model RS3A03A2HAE



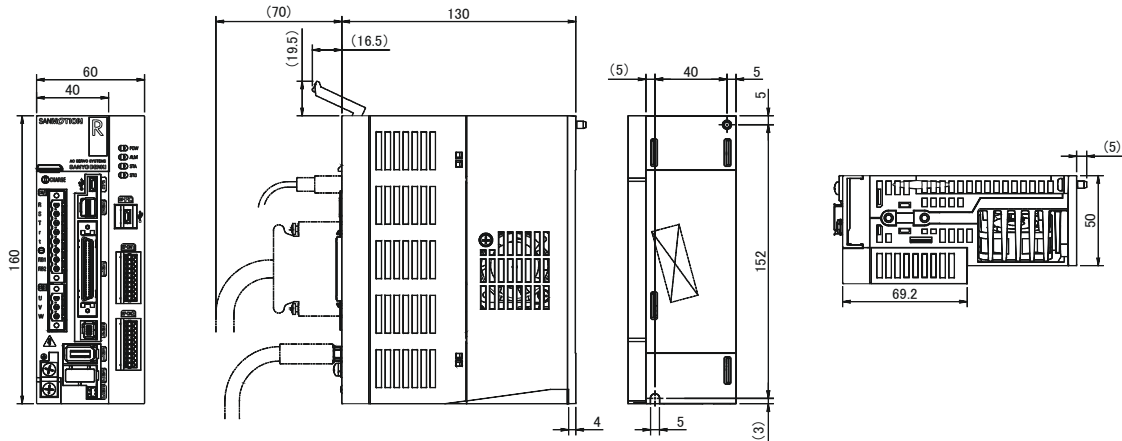
SAFETY FUNCTIONS SPECIFICATIONS

STO	SAFE TORQUE OFF
SS1	SAFE STOP 1
SS2	SAFE STOP 2
SOS	SAFE OPERATING STOP
SLS	SAFELY-LIMITED SPEED
SBC	SAFE BRAKE CONTROL
SSM	SAFE SPEED MONITOR

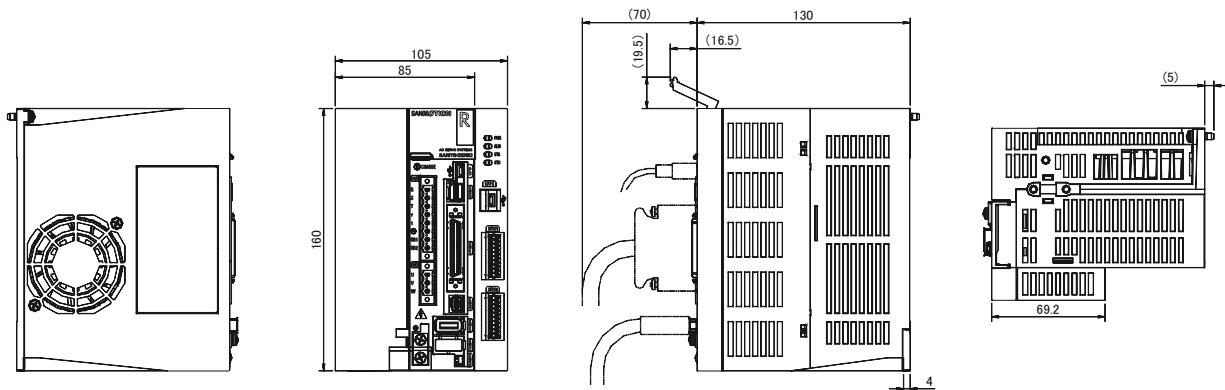
TECHNICAL DATA	EtherCAT Control			
	MODEL	RS3A03A2HAE	RS3A05A2HAE	RS3A10A2HAE
MAX CURRENT		30 Amp	50 Amp	100 Amp
MOTOR OUTPUT STAGE	IGBT, PWM control, sinusoidal current			
POWER SUPPLY VOLTAGE	Single-phase or three-phase (configurable by the user) 200 VAC or 230 VAC (+10%, -15%) 50/60 Hz (± 3 Hz)			
LOGIC SUPPLY VOLTAGE	Single-phase from 200 VAC to 230 VAC (+10%, -15%) 50/60 Hz (± 3 Hz)			
DIMENSIONS (mm)	60x160x130	105x160x130	120x205x220	
MASS (kg)	1.1	1.65	4.2	

“RS3A” SERIES AC SERVOAMPLIFIERS: EtherCAT VERSION OUTLINE DRAWINGS

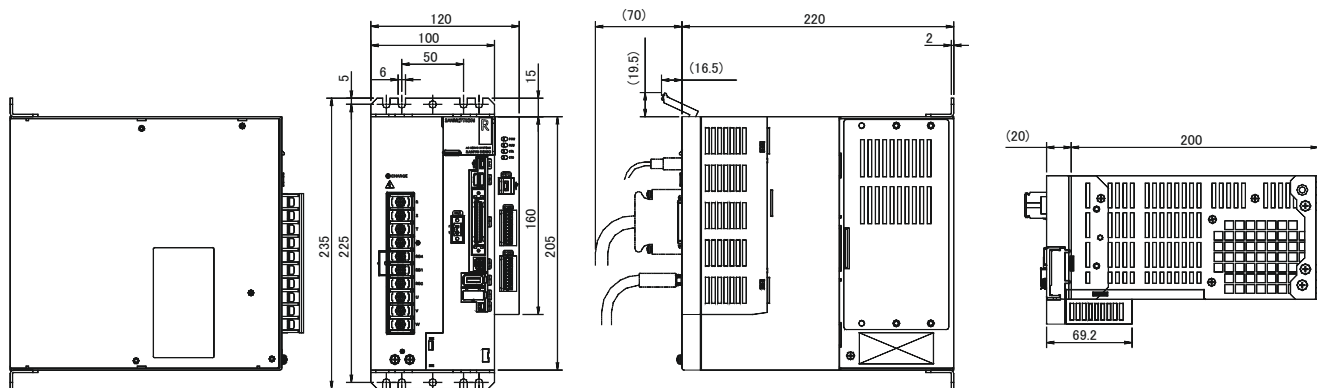
RS3A03A2HAE



RS3A05A2HAE



RS3A10A2HAE



Dimensions mm.