

# SG-P11-050-00X-12-HH-712X-00000

i=003   i=005   i=009



PLANETARY GEARBOXES

SG 050

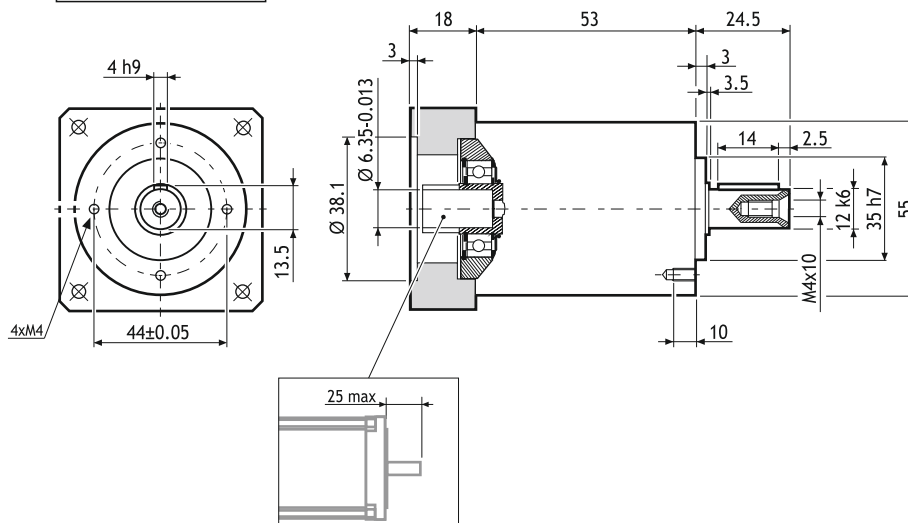
Φ=12'

MADE IN ITALY

IP64

## Dimensions (Units:mm)

SHAFT SIDE VIEW

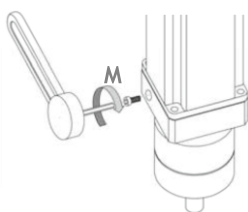


FLANGE SIDE VIEW

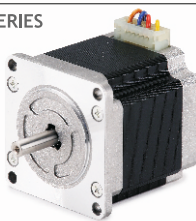
1.1 Kg

| MODEL                           | Rated output torque [Nm] | Maximum acceleration output torque [Nm] | Emergency step output torque [Nm] | Backlash [arcmin] | Nominal input speed [min <sup>-1</sup> ] | Maximum momentary input speed [min <sup>-1</sup> ] | Torsional stiffness [Nm/arcmin] | Maximum radial force applying on output shaft [N] | Maximum axial force applying on output shaft [N] | Gear efficiency [%] | Gear moment of inertia [Kg·m <sup>2</sup> ] |
|---------------------------------|--------------------------|---|-----------------------------------|-------------------|--|--|---------------------------------|---|--|---------------------|---|
| SG-P11-050-003-12-HH-712X-00000 | 10                       | 16                                      | 28                                | 12'               | 3300                                     | 4000   | 0.9                             | 500   | 600  | 97                  | 0.07x10 <sup>-4</sup>                       |
| SG-P11-050-005-12-HH-712X-00000 | 12                       | 20                                      | 30                                | 12'               | 3500                                     | 5000   | 0.9                             | 500   | 600  | 97                  | 0.05x10 <sup>-4</sup>                       |
| SG-P11-050-009-12-HH-712X-00000 | 10                       | 16                                      | 28                                | 12'               | 4000                                     | 6000   | 0.9                             | 500   | 600  | 97                  | 0.04x10 <sup>-4</sup>                       |

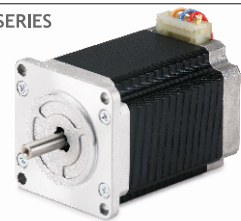
## Suggested motors



103-H7123 SERIES



103-H7126 SERIES



MOUNTING OPERATION MODE:

■ Tightening torque M=5 Nm

■ Locking bolt M4

■ R.T.A. Quality Control



R.T.A. s.r.l.  
Via E. Mattei - Fraz. Divisa  
27020 Marcignago (PV) (Italy)  
T +39.0382.929.855  
F +39.0382.929.150  
www.rta.it

R.T.A. Deutschland GmbH  
Bublitzer Strasse 34, 40599  
Duesseldorf (Germany)  
T +49.211.749.668.60  
F +49.211.749.668.66  
www.rta-deutschland.de

R.T.A. IBERICA  
C/Generalitat 22, Local 1  
08850 Gava - Barcelona (Spain)  
T +34 936.388.805  
F +34 936.334.595  
www.rta-iberica.es

R.T.A. INDIA Pvt  
Teerth Business Center 3<sup>rd</sup> Floor, Unit No. 7,  
Block EL-15, MIDC Bhosari Pimpri-Chinchwad,  
Pune 411026 (India)  
Tel. +91 9422507445  
www.rta-india.in